



universal

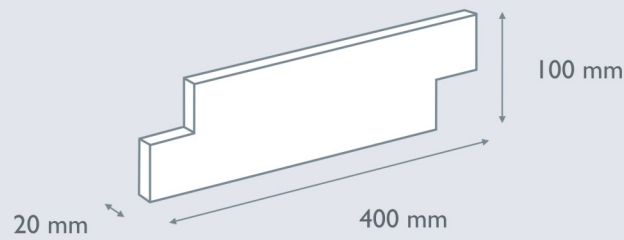


frostproof

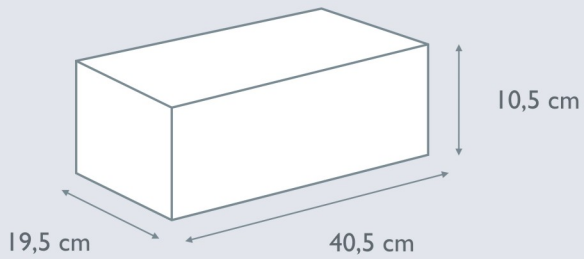
NATURAL STONE



TILES

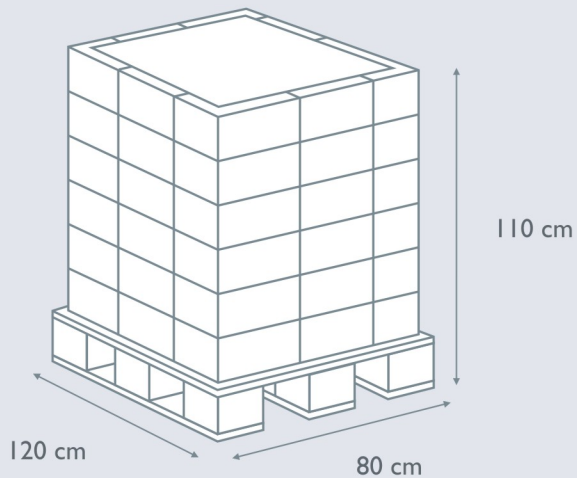


PACKAGE



box	content			weight (kg)
	pcs.	without join	with join	
tiles	12	0,42 m ²	-	11

PALLET



pallet	box quantity	weight gross (kg)
tiles	96	1080

